

## HXL003 – H.I.D. Replacement – Read before starting installation!

**WARNING!** - Consult an electrician if you are unsure of any of the following instructions.

Risk of fire – Supply wires must be rated 90°C or greater.

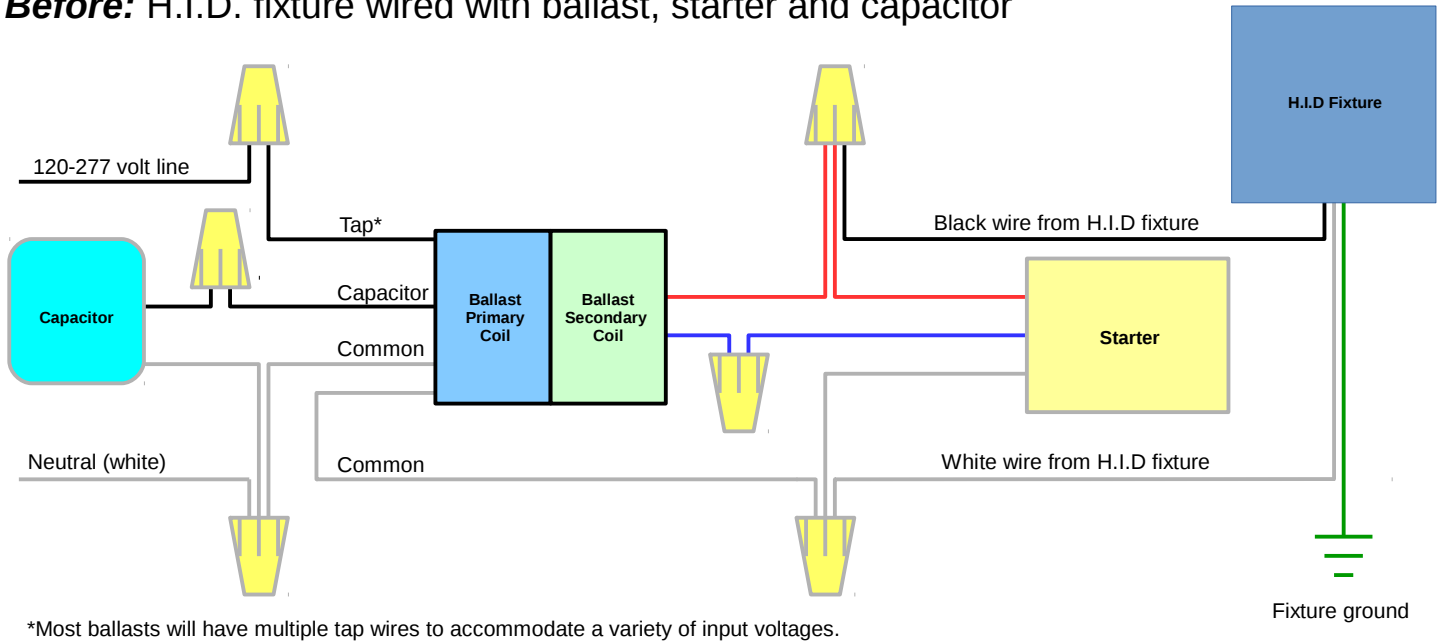
Risk of death – Disconnect power at fuse or breaker panel before attempting any electrical work.



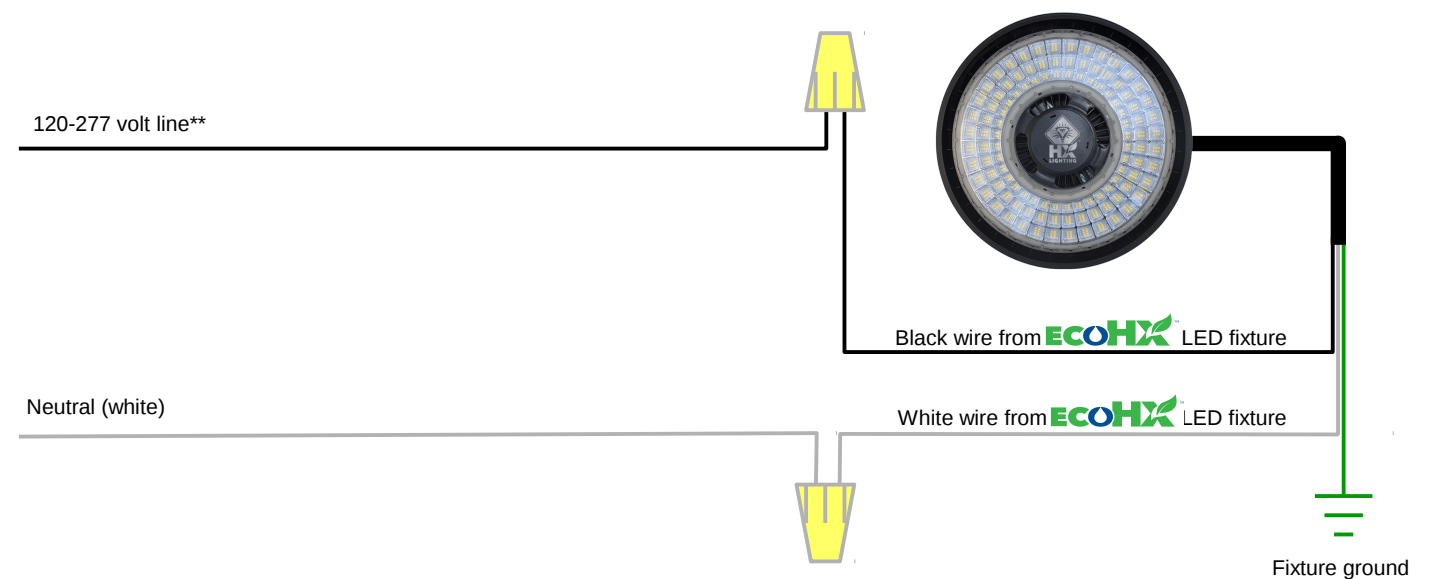
### Installation:

- Verify that there is no power on the circuit
- Remove existing fixture for recycling
- Locate ballast compartment and disconnect ballast/starter/capacitor from line inputs and fixture.
- Ensure ground connection (green or bare wire) is secured to fixture.
- Connect incoming neutral wire (common) to LED fixture common input as per diagram.
- Connect incoming line wire (hot) to LED fixture line input as per diagram.
- Close ballast box.
- Restore power and test.

### Before: H.I.D. fixture wired with ballast, starter and capacitor



### After: Ballast, starter and capacitor bypassed/removed for **ECO HX** LED



\*\* **ECO HX** Hawkeye Xtreme LED Fixtures can be used with input voltages ranging from 120 to 277 VAC.