

HXL 04.02 – H.I.D. Replacement – Read before starting installation!

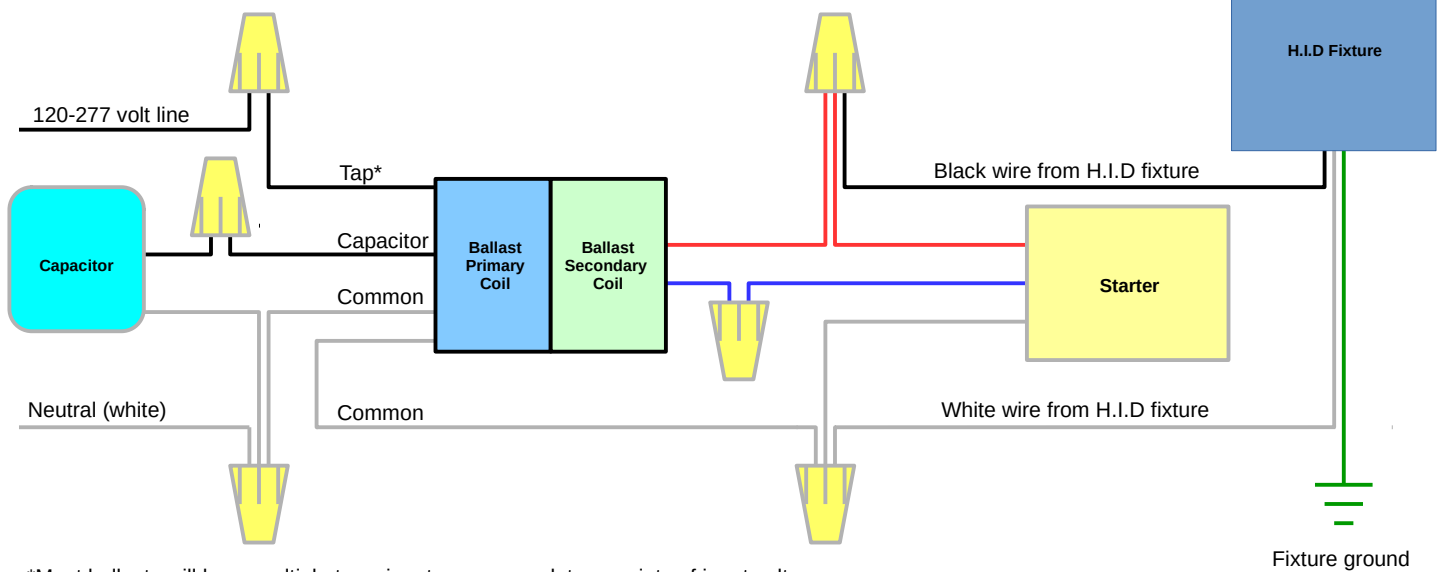
WARNING! - Consult an electrician if you are unsure of any of the following instructions.
 Risk of fire – Supply wires must be rated 90°C or greater.
 Risk of death – Disconnect power at fuse or breaker panel before attempting any electrical work.



Installation:

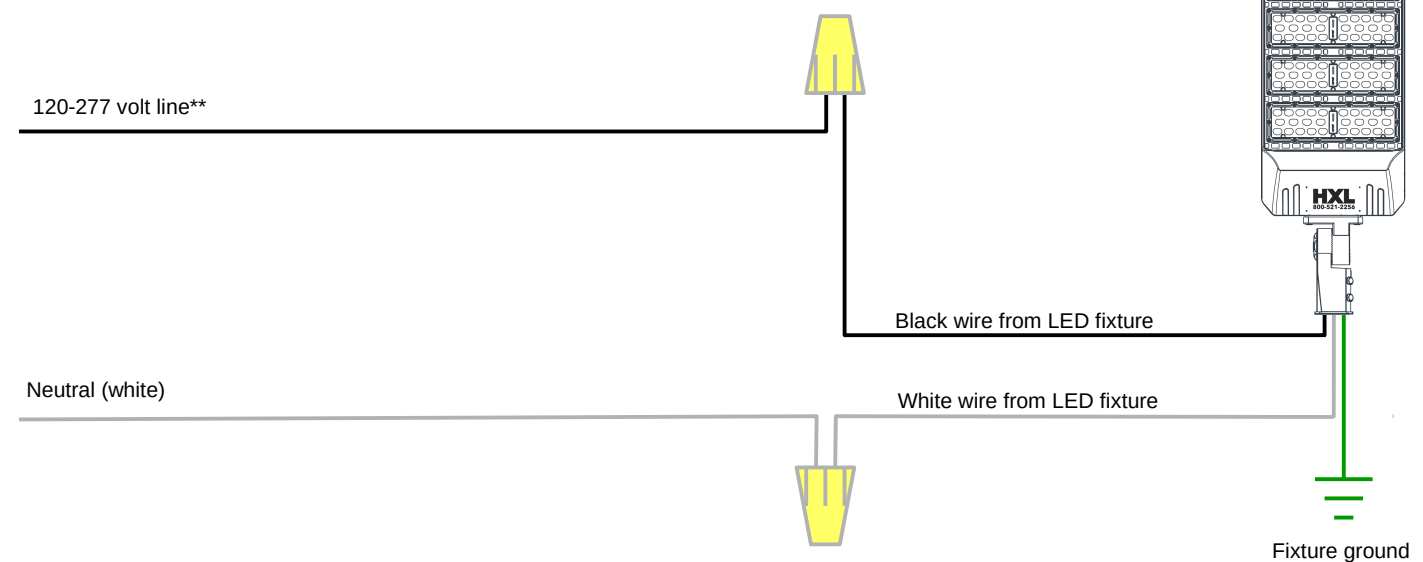
- Verify that there is no power on the circuit
- Remove existing fixture for recycling
- Locate ballast compartment and disconnect ballast/starter/capacitor from line inputs and fixture.
- Ensure ground connection (green or bare wire) is secured to fixture.
- Connect incoming neutral wire (common) to LED fixture common input as per diagram.
- Connect incoming line wire (hot) to LED fixture line input as per diagram.
- Close ballast box.
- Restore power and test.

Before: H.I.D. fixture wired with ballast, starter and capacitor



*Most ballasts will have multiple tap wires to accommodate a variety of input voltages.

After: Ballast, starter and capacitor bypassed/removed for LED fixture.



** **Covert-X LED Fixtures** can be used with input voltages ranging from 120 to 277 VAC.