

HXL LIGHTING™

Emergency / Exit



High-efficiency LED EXIT signs and emergency lighting are ideal for commercial, industrial and institutional applications.



LGXS/ELBB-LED



LGXSBB



LGXSBB-T



ELBB-LED



RH2LEDWP

Features

- Eco – Earth-friendly design contains no mercury or lead.
- Battery backup – 90 minute run time - replaceable batteries
- Push-to-test switch
- Highest-efficiency HX-POWR™ Driver – Best In Class
- Low-glare lens
- Extreme performance – 50,000+ user hours
- Exit signs can be used as single or double-faced with configurable exit chevrons
- Remote Capable units can power one weatherproof remote unit each



Voltage	Product Code	Description	Battery	Mount
120-277	LGXS/ELBB-LED*	EXIT SIGN/LED GREEN/COMBO	EBN796	Top/Back
120-277	LGXS/ELBB-LEDRC*	EXIT SIGN/LED GREEN/COMBO/REMOTE CAPABLE	EBN796	Top/Back
120-277	LGXSBB*	EXIT SIGN/LED GREEN	EBN748	Top/Back/End
120-277	LGXSBB-RC*	EXIT SIGN/LED GREEN/REMOTE CAPABLE	EBN748	Top/Back/End
120-277	LGXSBB-T	EXIT SIGN/LED GREEN/TRANSPARENT	EBN748	Top/Back/End
120-277	ELBB-LED	EMERGENCY LIGHT	EBN936	Back
120-277	ELBB-LEDRC	EMERGENCY LIGHT/REMOTE CAPABLE	EBN936	Back
n/a	RH2LEDWP	REMOTE 2-HEAD/EMERGENCY/LED/WEATHERPROOF	n/a	Back

* Black housing available by special order – Add suffix **BK**

Accessories



EBN796



EBN748



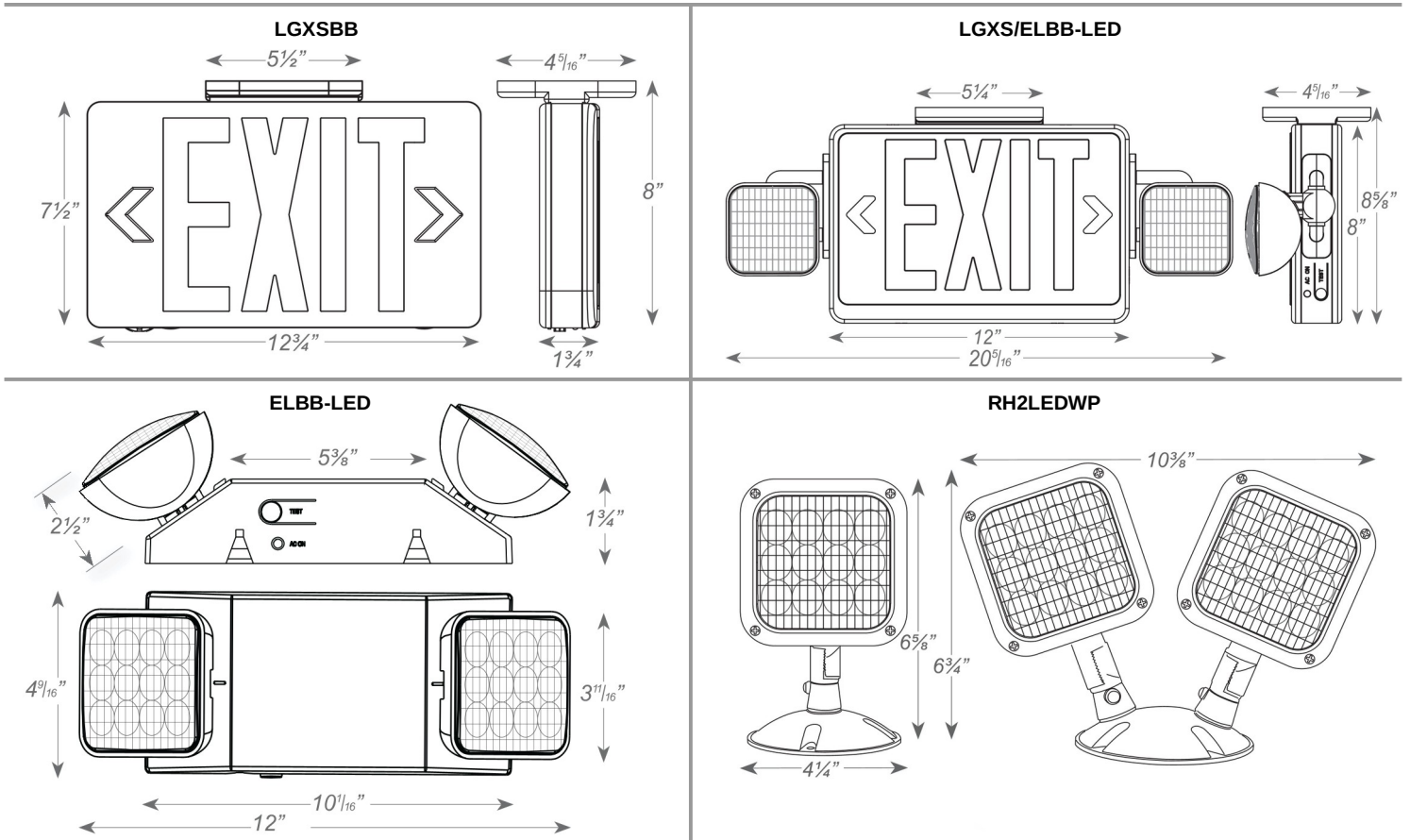
EBN936



EB46

Product Code	Description
EBN796	BATTERY REPLACEMENT FOR LGXS/ELBB-LED/LGXS and ELBB-LEDRC (8-AA)
EBN748	BATTERY REPLACEMENT FOR LGXSBB and LGXSBB-RC (4-AA)
EBN936	BATTERY REPLACEMENT FOR ELBB-LED and ELBB-LEDRC (3-AA)
EB46	4.5AMP/6VOLT/SLA Battery

Dimensions



LED Exit Sign Retro-fit

Product Code	Description
XSR	LED RED/EXIT SIGN RETRO-FIT/CAND
INT-CAND	INT-CAND/REDUCER/75W-125V
DC-CAND	DC-CAND/REDUCER/75W-125V
MED-CAND	MED-CAND/REDUCER/75W-125V

Batteries

Product Code	Description
EB36	3.5AMP/6VOLT/SLA BATTERY
EB46	4.5AMP/6VOLT/SLA BATTERY
EB76	7AMP/6VOLT/SLA BATTERY
EB126	12AMP/6VOLT/SLA BATTERY
EBN936	900mAh/3.6V/NICAD BATTERY (3-AA)
EBN748	700mAh/4.8V/NICAD BATTERY (4-AA)
EBN796	700mAh/9.6V/NICAD BATTERY (8-AA)
EBN1212	1200mAh/1.2V/NICAD BATTERY
939	5T5/6V/WEDGE
H16495	5MR16/6V