



# Covert-X™ Dusk-to-Dawn Installation

## HXL 06.01 – Read before starting installation!

**PLEASE FIND A QUALIFIED ELECTRICIAN FOR INSTALLATION.** Please read the instructions before you install and use the luminaire.

### WARNING, CAUTIONS AND OPERATING INSTRUCTIONS

- To reduce the risk of death, personal injury or property damage from fire, electric shock, falling parts, cuts/abrasions, and other hazards read all warnings and instructions included with and on the fixture box and all fixture labels.
- Before installing, servicing, or performing routine maintenance upon this equipment, follow these general precautions.
- This luminaire must be installed in accordance with the National Electrical Code or your local electrical code. If you are not familiar with these codes and requirements, consult a qualified electrician.

### WARNING: RISK OF FIRE OR ELECTRICAL SHOCK

- Turn off the power when you perform any maintenance.
- Verify that supply voltage is correct by comparing it with the luminaire label information.
- Make all electrical and grounded connections in accordance with the National Electrical Code and any applicable local code requirements.
- All wiring connections should be capped with UL approved wire connectors.

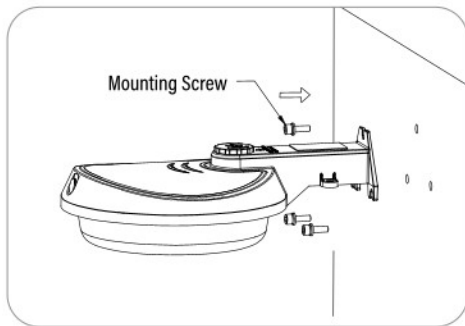
### CAUTION:

- Wear gloves and safety glasses at all times when removing luminaire from carton, installing, servicing or performing maintenance.
- Avoid looking directly at the light source for prolonged periods of time while it is on.
- Do not place in a location with where high heat, corrosive materials or harsh chemicals can come in contact with the fixture.
- Make sure the mounting surface is level, doesn't vibrate or swing and can withstand 10 times the weight of the luminaire before installation.
- Operating temp: -4°~ 113°F (-20 ~ 45°C )

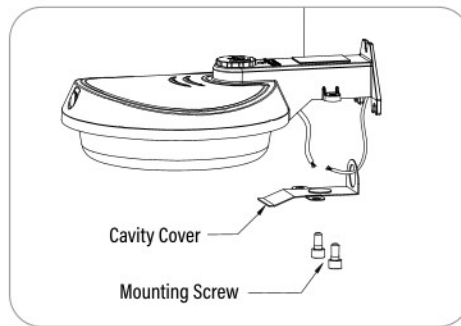


**WARNING DISCONNECT POWER BEFORE INSTALLING OR SERVICING.**

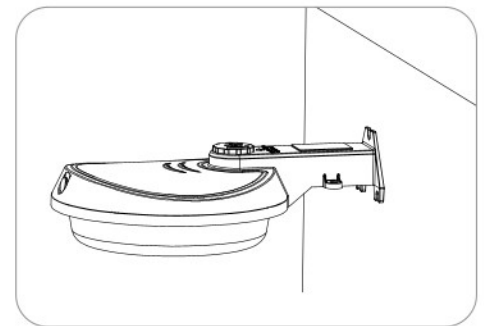
### WALL MOUNTING



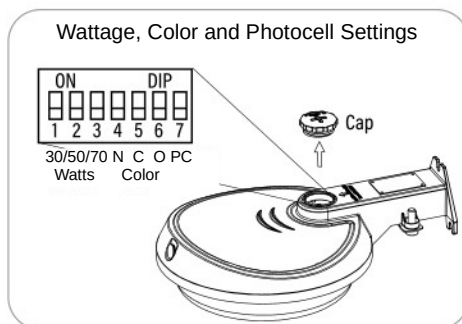
1. Install the lamp to the wall with screws.



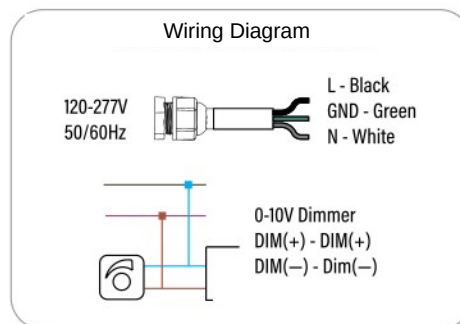
2. Connect the circuit as required in General Wiring Diagram, and install the cavity cover.



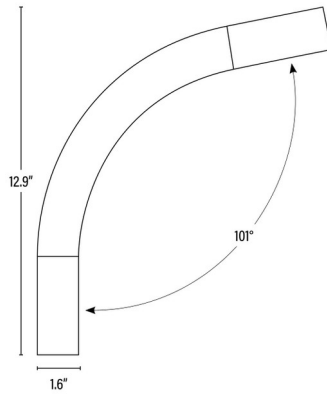
3. Installation complete



Remove cap to access dip switches to adjust Wattage, Color Tone and Photocell (On/Off) settings. Replace cap when finished.

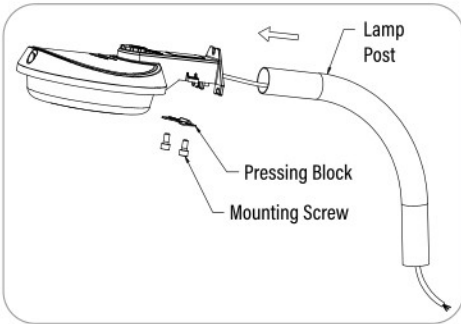


**Note:** For non-dimming applications, cap dimming wires separately. Failure to do so may cause malfunctioning and void warranty.

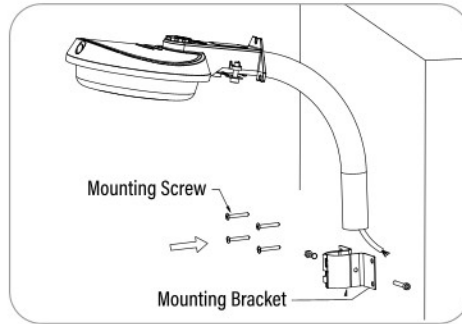


**⚠ WARNING DISCONNECT POWER BEFORE INSTALLING OR SERVICING.**

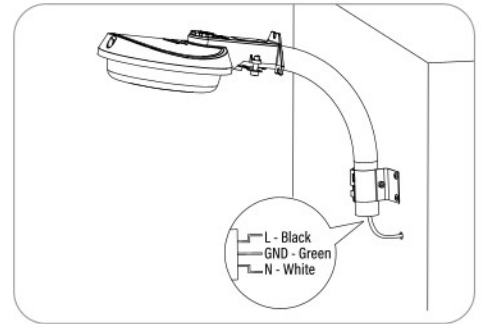
**ARM MOUNTING**



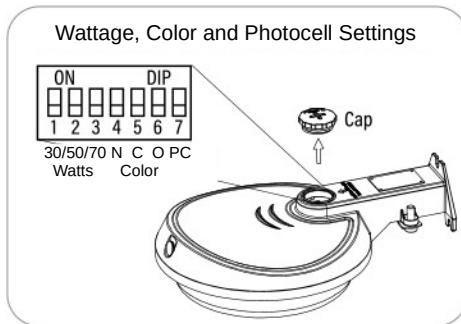
1. Feed electrical wires from the fixture through the lamps pole, insert lamp pole into fixture and lock the pressing block



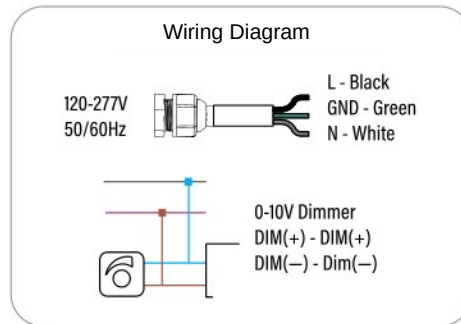
2. Insert lamp pole into mounting bracket and secure it to the mounting surface.



3. Connect the circuit as required in General Wiring Diagram.



Remove cap to access dip switches to adjust Wattage, Color Tone and Photocell (On/Off) settings. Replace cap when finished.



**Note:** For non-dimming applications, cap dimming wires separately. Failure to do so may cause malfunctioning and void warranty.

**NOTES**

- If more than one dip switch for wattage is turned "on", the fixture will default to 50 watts.
- If all the dip switches for wattage are accidentally switched down, the fixture will default to the last dip switch wattage setting it was turned on to.
- If more than one dip switch for CCT is turned "on" (or if all are switched down), the fixture will default to **OUTDOOR**.

**TROUBLE SHOOTING**

If light will not turn on, check:

1. That the light switch is in the "On" position
2. Turn circuit breaker on or replace fuse if it has been blown.
3. Verify fixture is wired properly
4. Check for stray light that might be shining onto the photocell (if the photocell is switched on).