

High-efficiency fixtures ideal for:

- Under-cabinet lighting
- Workbench and task lighting
- Retail / food service displays
- Curio cabinets and bookshelves
- Over-cabinet uplighting



## Features

- Exceptional light quality – Low glare polycarbonate lens
- Low-profile – 1” fixture height / 3.5” depth
- 120V dimmable driver
- Energy Star qualified
- Up to 60% energy savings compared to fluorescent fixtures
- Earth-friendly design contains no mercury or lead.
- Linkable end-to-end (mini-connector included for row mounting)
- Switchable color tone - EcoHX Warm/Natural/Cool
- Dimmable
- Suitable for damp locations
- Extreme performance – 50,000+ user hours
- Durable aluminum construction
- Hardwired or plug and play installation option
- ON/OFF switch with pass-through power



DIMMABLE



CRI (Ra)



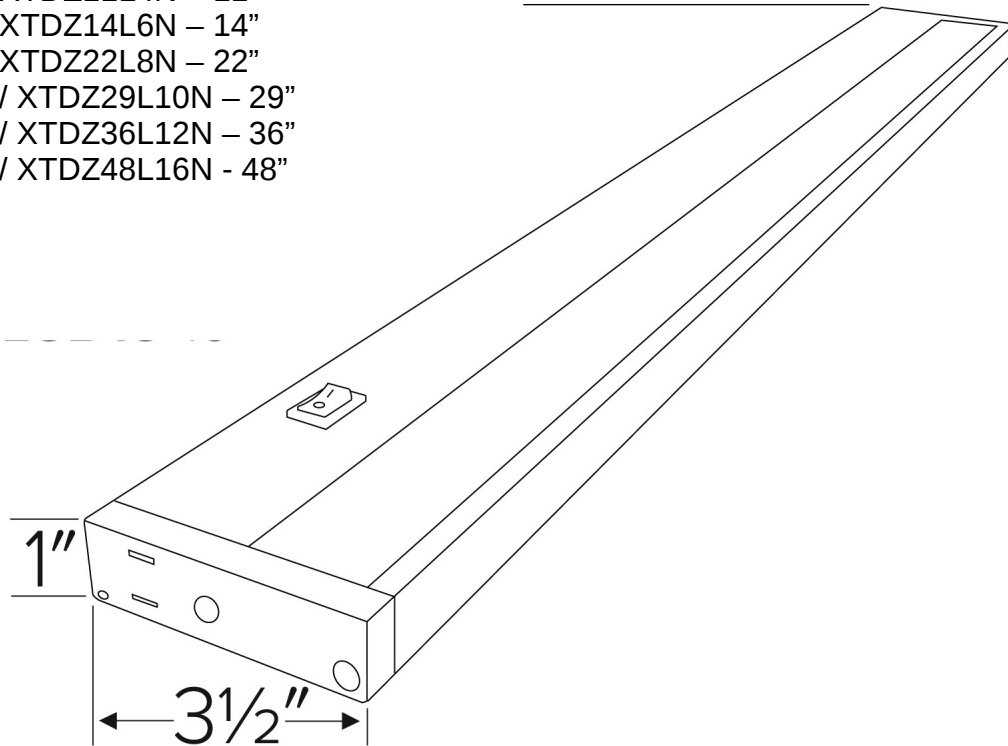
LIFETIME HOURS

Product Code	Length	Watts	Description	Color Tone
XTDW11L4N	11"	4W	XTD/White/11IN/LED4W/EcoHXN	EcoHX W/N/C
XTDZ11L4N	11"	4W	XTD/Bronze/11IN/LED4W/EcoHXN	EcoHX W/N/C
XTDW14L6N	14"	6W	XTD/White/14IN/LED6W/EcoHXN	EcoHX W/N/C
XTDZ14L6N	14"	6W	XTD/Bronze/14IN/LED6W/EcoHXN	EcoHX W/N/C
XTDW22L8N	22"	8W	XTD/White/22IN/LED8W/EcoHXN	EcoHX W/N/C
XTDZ22L8N	22"	8W	XTD/Bronze/22IN/LED8W/EcoHXN	EcoHX W/N/C
XTDW29L10N	29"	10W	XTD/White/29IN/LED10W/EcoHXN	EcoHX W/N/C
XTDZ29L10N	29"	10W	XTD/Bronze/29IN/LED10W/EcoHXN	EcoHX W/N/C
XTDW36L12N	36"	12W	XTD/White/36IN/LED12W/EcoHXN	EcoHX W/N/C
XTDZ36L12N	36"	12W	XTD/Bronze/36IN/LED12W/EcoHXN	EcoHX W/N/C
XTDW48L16N	48"	16W	XTD/White/48IN/LED16W/EcoHXN	EcoHX W/N/C
XTDZ48L16N	48"	16W	XTD/Bronze/48IN/LED16W/EcoHXN	EcoHX W/N/C



## Dimensions

XTDW11L4N / XTDZ11L4N – 11"  
XTDW14L6N / XTDZ14L6N – 14"  
XTDW22L8N / XTDZ22L8N – 22"  
XTDW29L10N / XTDZ29L10N – 29"  
XTDW36L12N / XTDZ36L12N – 36"  
XTDW48L16N / XTDZ48L16N - 48"



## Accessories

Product Code	Description
XTDJ12	XTD/Joiner/12 Inch
XTDJ24	XTD/Joiner/24 Inch
DSS3300	DIMMER SWITCH/SLIDE/300W* - includes white/ivory/almond trim

\* Number of fixtures per dimmer:

4W - 8W fixtures = 17-34 fixtures per dimmer

10W - 16W fixtures = 8-13 fixtures per dimmer

Dimmed light output range 10-100%

Refer to dimmer manufacturer's documentation for installation instructions and circuit details.