

HXLIGHTINGTM

Floodlight Brackets

- Steel construction
- Durable powder-coated finish
- Stainless steel hardware

Tenon Adapter 1/2" NPS

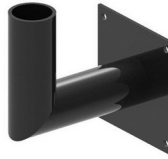
- Dark bronze
- Fits 2 3/8" Outside Diameter pole
- Mounts fixtures to tenons
- Hardware included



Product Code	TA1/2KM
Applications	1/2" NPS Floods & Spots
Base	2.5" ID slip fitter
Description	Tenon Adapter/1/2"/Knuckle Mount

Wall-Mount Bracket

- Dark bronze
- 2 3/8" Tenon
- 7" square plate



Product Code	BWMVT
Applications	Slip-fitter
Base	Flat
Description	Bracket/Wall-Mount/Vertical Tenon

Dual Wall-Mount Bracket

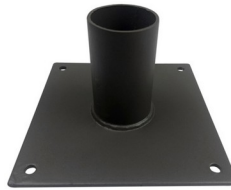
- Dark bronze
- 15" Tenon spacing
- 2 3/8" Tenons
- 7" square plate



Product Code	BWM2VT
Applications	Slip-fitter
Base	Flat
Description	Bracket/Wall-Mount/2 Vertical Tenons

Surface-Mount Bracket

- Dark bronze
- 2 3/8" Tenon
- 7" square plate



Product Code	BSMT
Applications	Slip-fitter
Base	Flat
Description	Bracket/Surface-Mount/Tenon

Wall/Pole Angle Bracket

- Dark bronze
- 2 3/8" Tenon
- Angle bracket wall mount



Product Code	BWPVT
Applications	Slip-fitter
Base	Angle bracket
Description	Bracket/Surface-Mount/Tenon

Square-Pole Bracket

- Dark bronze
- 2 3/8" Tenon
- For wall or square pole mount
- Back Plate included
- Hardware included
- Round-Pole Adapter (RPA) Optional



Product Code	BSPHT / RPA
Applications	Slip-fitter
Base	Flat with back plate
Description	Bracket/Square-Pole/Horizontal Tenon

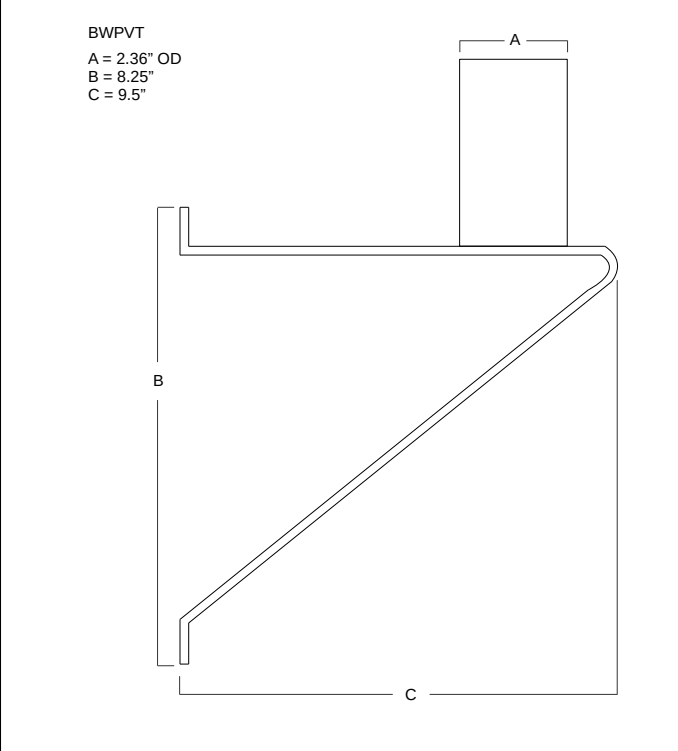
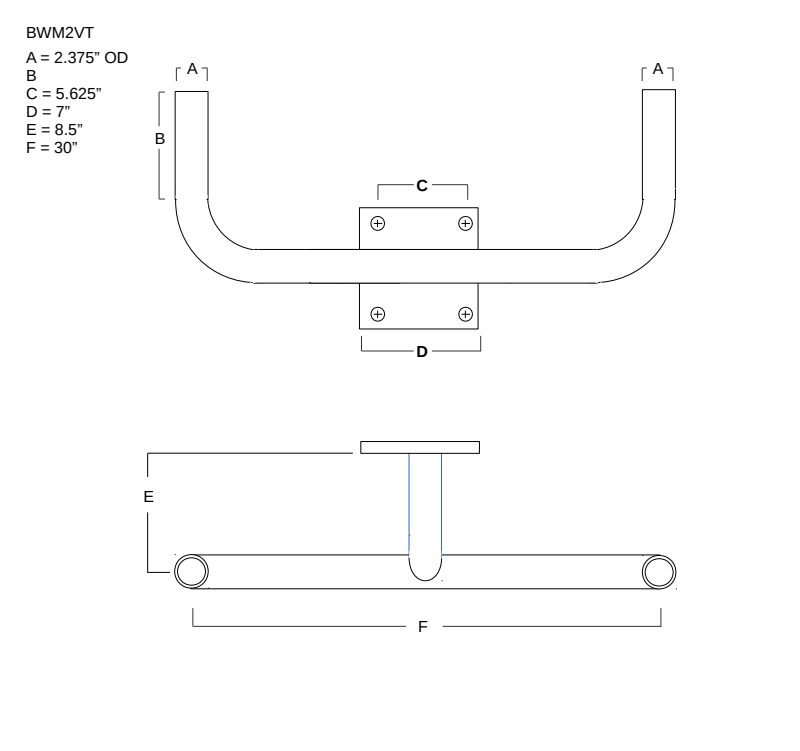
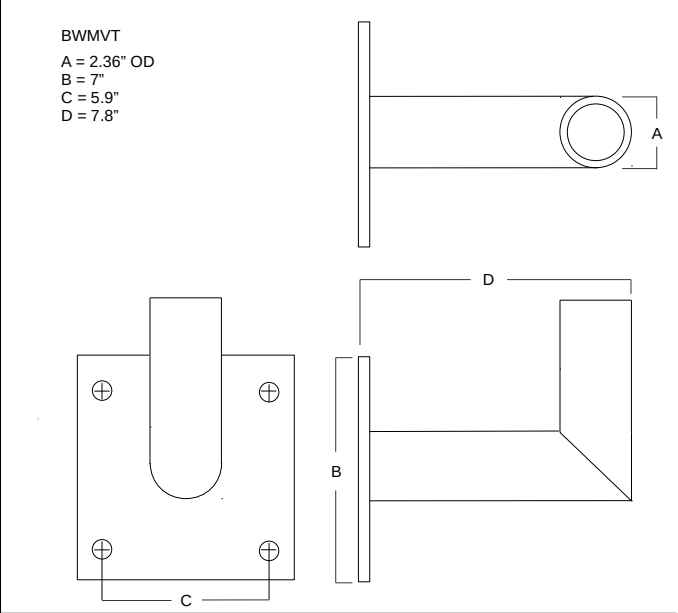
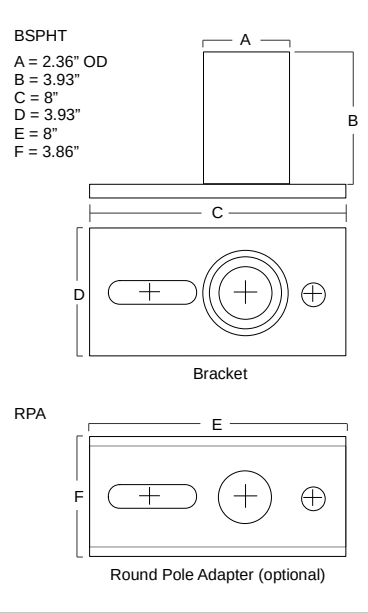
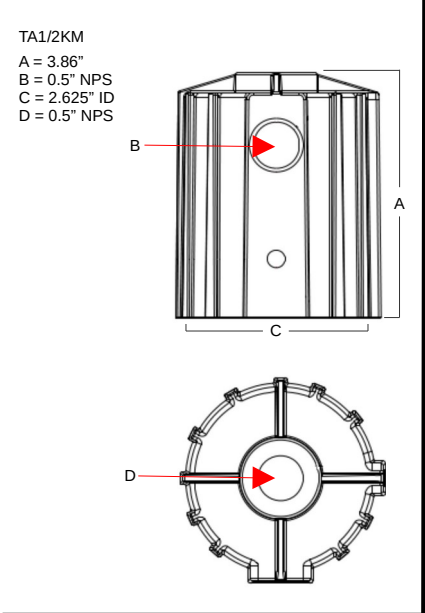
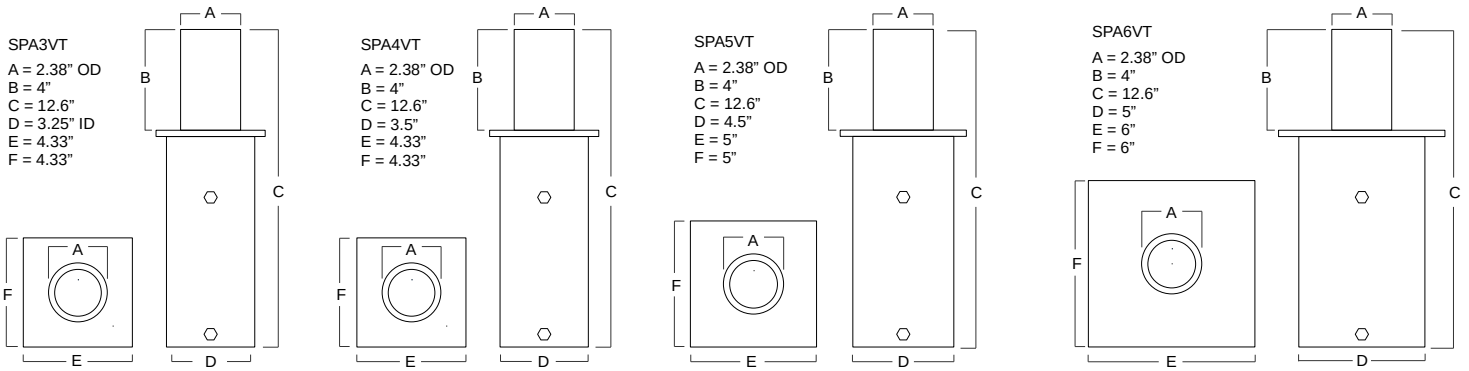
Square-Pole Adapter

- Dark bronze
- 2 3/8" Tenon
- Available to fit 3" / 4" / 5" / 6" square poles
- Mounts inside existing poles
- Hardware included



Product Code	SPA3VT / SPA4VT / SPA5VT / SPA6VT
Applications	Slip-fitter
Base	3" / 4" / 5" / 6" square pole
Description	Square-Pole/Adapter/Vertical Tenon

Dimensions



HXLIGHTINGTM

Floodlight Brackets

- Steel construction
- Durable powder-coated finish
- Stainless steel hardware

Round-Pole Adapter

- Dark bronze
- 2 3/8" Tenon
- Available to fit 3" / 4" / 5" O/D round poles
- Mounts over existing poles
- Hardware included



Product Code	RPA3VT / RPA4VT / RPA5VT
Applications	Slip-fitter
Base	3.25" / 4.25" / 5.25" ID
Description	Round-Pole/Adapter/Vertical Tenon

Single-Arm Bracket

- Dark bronze
- 2 3/8" Tenon
- Fits 2 3/8" Outside Diameter pole
- Hardware included



Product Code	BRA1HT
Applications	Slip-fitter
Base	2.5" ID slip fitter
Description	Bracket/Round-Arm/Tenon

180° Dual-Arm Bracket

- Dark bronze
- 2 3/8" Tenons
- Fits 2 3/8" Outside Diameter pole
- Hardware included



Product Code	BRA2180HT
Applications	Slip-fitter
Base	2.5" ID slip fitter
Description	Bracket/Round-Arm/Dual 180° Tenons

90° Dual-Arm Bracket

- Dark bronze
- 2 3/8" Tenons
- Fits 2 3/8" Outside Diameter pole
- Hardware included



Product Code	BRA290HT
Applications	Slip-fitter
Base	2.5" ID slip fitter
Description	Bracket/Round-Arm/Dual 90° Tenons

120° Triple-Arm Bracket

- Dark bronze
- 2 3/8" Tenons
- Fits 2 3/8" Outside Diameter pole
- Hardware included



Product Code	BRA3120HT
Applications	Slip-fitter
Base	2.5" ID slip fitter
Description	Bracket/Round-Arm/Triple 120° Tenons

90° Quad-Arm Bracket

- Dark bronze
- 2 3/8" Tenons
- Fits 2 3/8" Outside Diameter pole
- Hardware included



Product Code	BRA490HT
Applications	Slip-fitter
Base	2.5" ID slip fitter
Description	Bracket/Round-Arm/Quad 90° Tenons

Dual Square-Arm Bracket

- Dark bronze
- 20" tenon spacing
- 2 3/8" Tenons
- Fits 2 3/8" Outside Diameter pole
- Hardware included

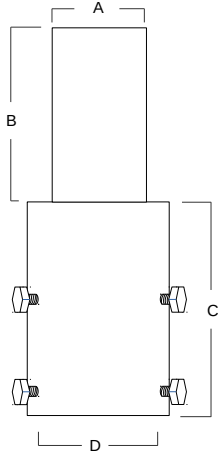


Product Code	BSA220VT
Applications	Slip-fitter
Base	2.5" ID slip fitter
Description	Bracket/Square-Arm/Dual 180° Tenons

Dimensions

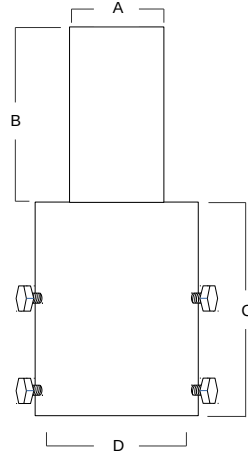
RPA3VT - Fits 3" OD pole

A = 2.375" OD
 B = 4"
 C = 4.8"
 D = 3.25" ID



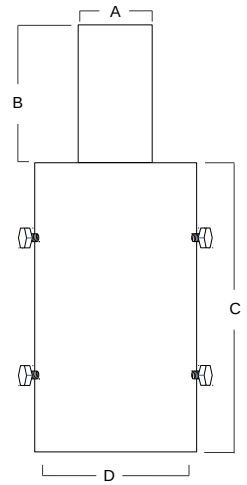
RPA4VT - Fits 4" OD pole

A = 2.375" OD
 B = 4"
 C = 4.8"
 D = 4.2" ID



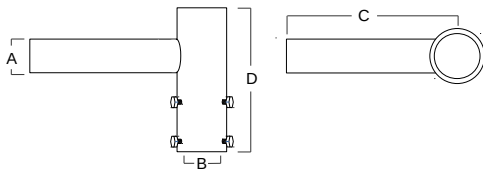
RPA5VT - Fits 5" OD pole

A = 2.375" OD
 B = 4"
 C = 4.8"
 D = 45.5" ID



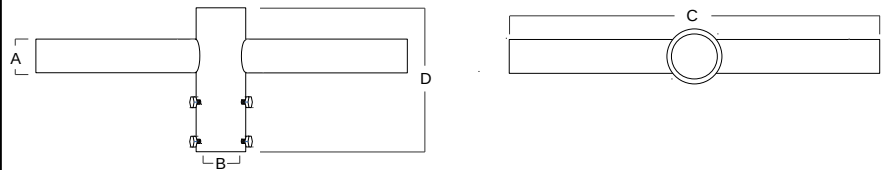
BRA1HT

A = 2.375" OD
 B = 2.68" ID
 C = 10"
 D = 7"



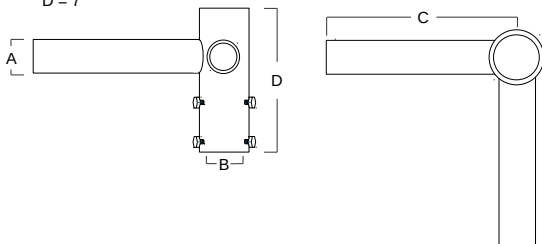
BRA2180HT

A = 2.375" OD
 B = 2.68" ID
 C = 21"
 D = 7"



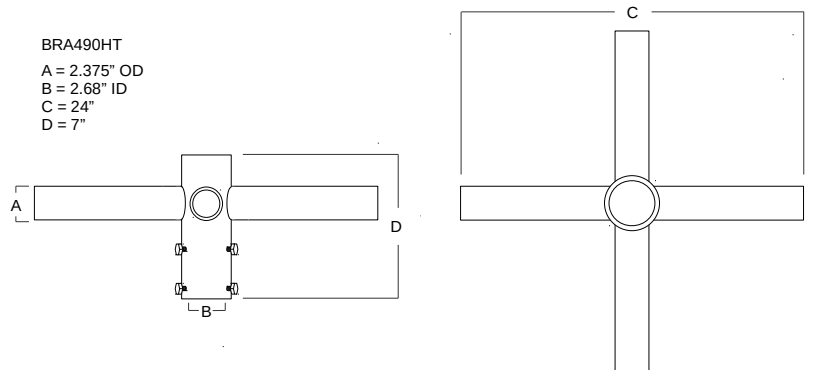
BRA209HT

A = 2.375" OD
 B = 2.68" ID
 C = 10.25"
 D = 7"



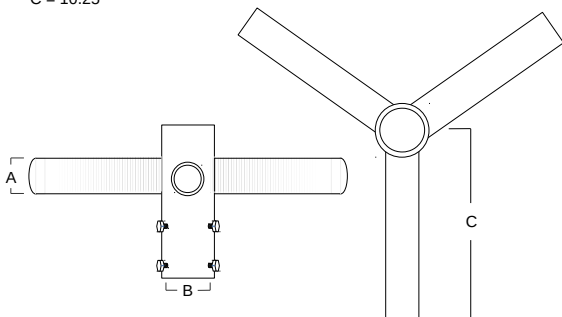
BRA490HT

A = 2.375" OD
 B = 2.68" ID
 C = 24"
 D = 7"



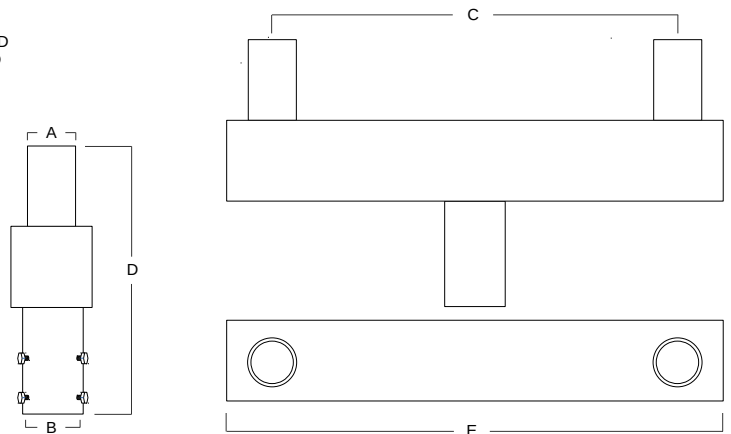
BRA3129HT

A = 2.375" OD
 B = 2.628" ID
 C = 10.25"



BSA220VT

A = 2.375" OD
 B = 2.628" ID
 C = 20.5"
 D = 12.7"
 E = 24.6"



HXLIGHTINGTM

Floodlight Brackets

- Steel construction
- Durable powder-coated finish
- Stainless steel hardware

Triple Square-Arm Bracket

- Dark bronze
- 20" tenon spacing
- 2 3/8" Tenons
- Fits 2 3/8" Outside Diameter pole
- Hardware included



Product Code	BSA320VT
Applications	Slip-fitter
Base	2.5" ID slip fitter
Description	Bracket/Square-Arm/Triple 180° Tenons

Triangle Square-Arm Bracket

- Dark bronze
- Tenon spacing 10" from center
- 2 3/8" Tenons
- Fits 2 3/8" Outside Diameter pole
- Hardware included



Product Code	BSA3120VT
Applications	Slip-fitter
Base	2.5" ID slip fitter
Description	Bracket/Square-Arm/Triple 120° Tenons

Quad Square-Arm Bracket

- Dark bronze
- Tenon spacing 10" from center
- 2 3/8" Tenons
- Fits 2 3/8" Outside Diameter pole
- Hardware included



Product Code	BSA420VT
Applications	Slip-fitter
Base	2.5" ID slip fitter
Description	Bracket/Square-Arm/Quad 90° Tenons

Dual Bullhorn Bracket

- Dark bronze
- 20" tenon spacing
- 2 3/8" Tenons
- Fits 2 3/8" Outside Diameter pole
- Hardware included



Product Code	BBH220VT
Applications	Slip-fitter
Base	2.5" ID slip fitter
Description	Bracket/Bullhorn/Dual 180° Tenons

Triple Bullhorn Bracket

- Dark bronze
- 20" tenon spacing
- 2 3/8" Tenons
- Fits 2 3/8" Outside Diameter pole
- Hardware included



Product Code	BBH320VT
Applications	Slip-fitter
Base	2.5" ID slip fitter
Description	Bracket/Bullhorn/Triple 180° Tenons

Triangle Bullhorn Bracket

- Dark bronze
- Tenon spacing 15" from center
- 2 3/8" Tenons
- Fits 2 3/8" Outside Diameter pole
- Hardware included



Product Code	BBH3120VT
Applications	Slip-fitter
Base	2.5" ID slip fitter
Description	Bracket/Bullhorn/Triple 120° Tenons

Quad Bullhorn Bracket

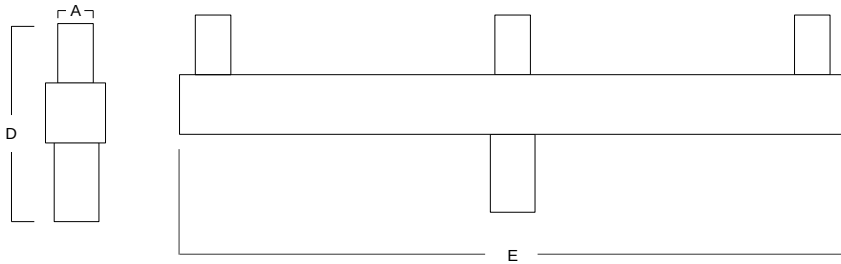
- Dark bronze
- Tenon spacing 10" from center
- 2 3/8" Tenons
- Fits 2 3/8" Outside Diameter pole
- Hardware included



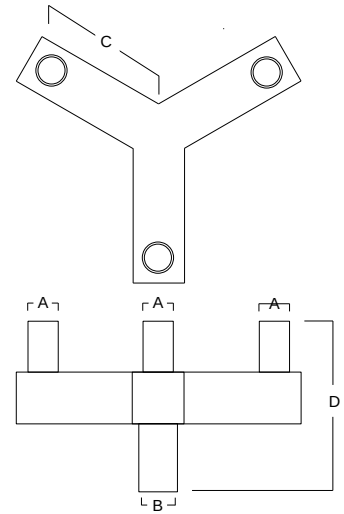
Product Code	BBH420VT
Applications	Slip-fitter
Base	2.5" ID slip fitter
Description	Bracket/Bullhorn/Quad 90° Tenons

Dimensions

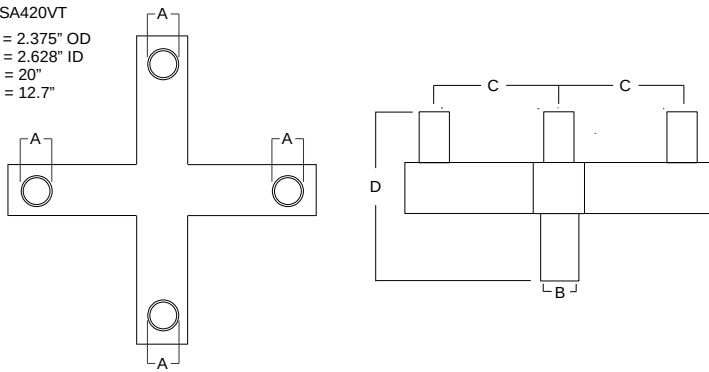
BSA320VT
 A = 2.375" OD
 B = 2.628" ID
 C = 20.5"
 D = 12.7"
 E = 45"



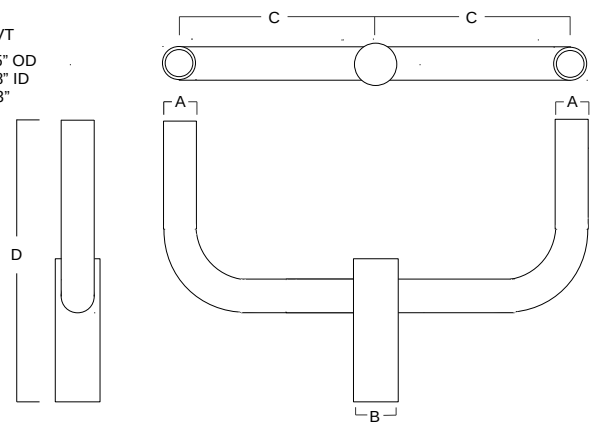
BSA3120VT
 A = 2.375" OD
 B = 2.628" ID
 C = 10"
 D = 12.7"



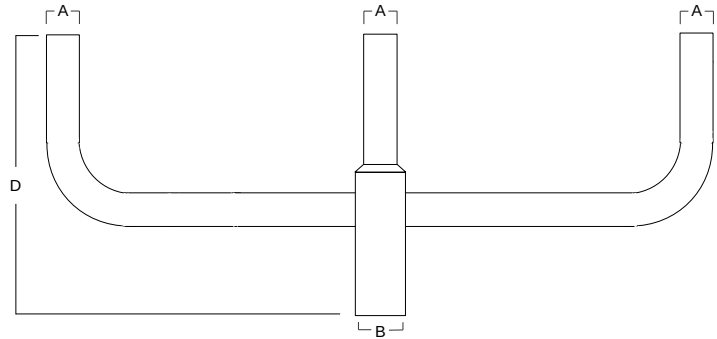
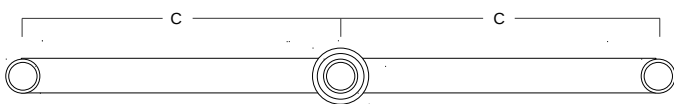
BSA420VT
 A = 2.375" OD
 B = 2.628" ID
 C = 20"
 D = 12.7"



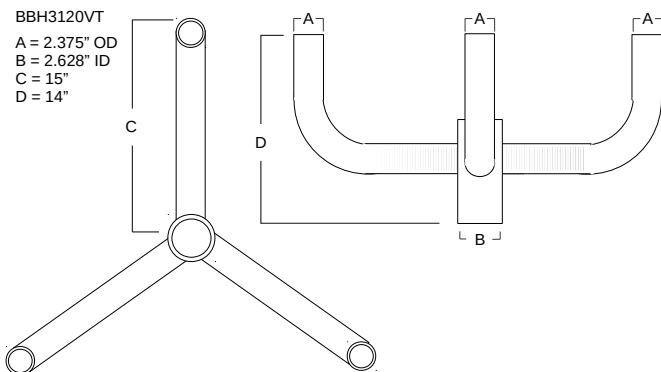
BBH220VT
 A = 2.375" OD
 B = 2.628" ID
 C = 10.23"
 D = 14"



BBH320VT
 A = 2.375" OD
 B = 2.628" ID
 C = 21.5"
 D = 14"



BBH3120VT
 A = 2.375" OD
 B = 2.628" ID
 C = 15"
 D = 14"



BBH420VT
 A = 2.378" OD
 B = 2.625" ID
 C = 10.23"
 D = 14"

