

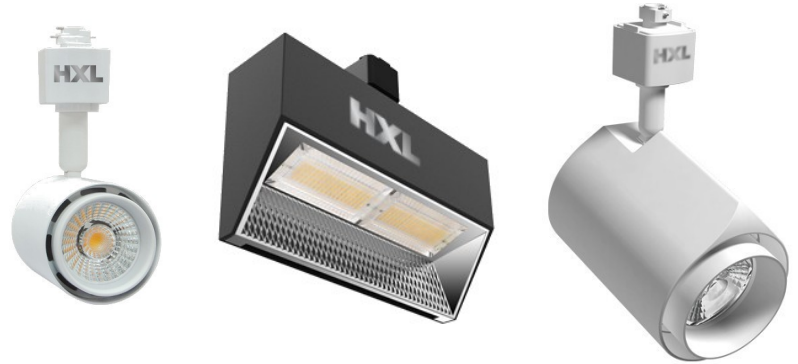
# HXL LIGHTING™

## EcoTraX™ Track Lighting



The ideal lighting solution for:

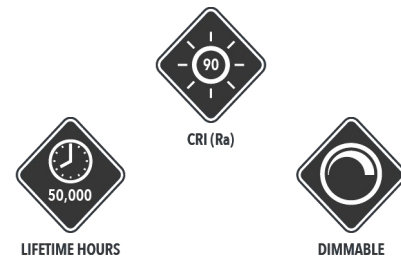
- Display lighting
- Art galleries
- Exhibition areas
- Bars, restaurants and coffee shops
- Lighting interior signs and graphics
- Highlighting architectural features



EcoTraX LED fixtures are available in white or black.

## Features

- **Eco** – Earth-friendly design contains no mercury or lead.
- Compatible with H-Style 3-wire mounting systems
- White or black finish
- Dimmable (compatible dimmer required)
- Integrated cast aluminum heat sink
- Exclusive anti-glare technology
- Patented **Diamond Crystal Lens™**
- **HXL LED emitters** provide exceptional light quality.
- Available in Natural or Outdoor color tone\*
- Extreme performance – 50,000+ user hours
- 360° rotation and 0° to 90° pivot



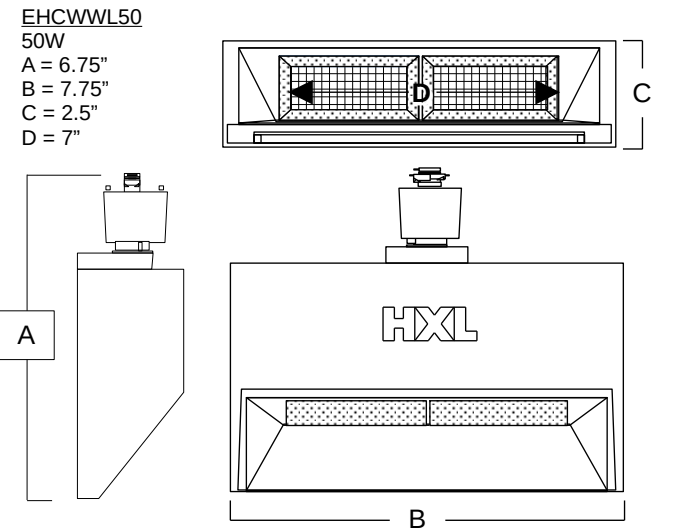
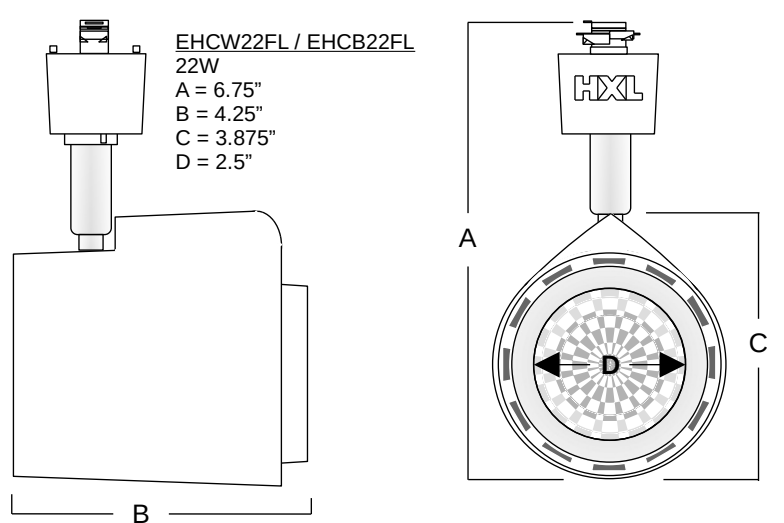
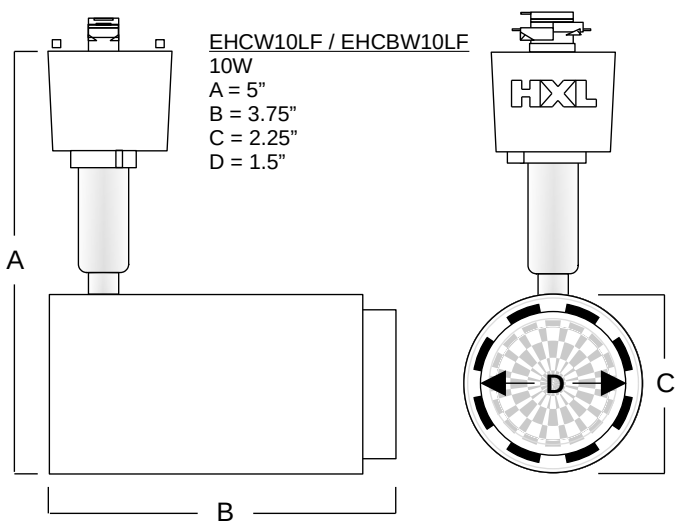
\*Washer track heads feature X-CHANGE™ selectable color tone (Warm/Natural/Cool) and wattage (30/40/50).

| Watts | Dia.  | Length | Replace      | Product Code      | Description                         | Color Tone |
|-------|-------|--------|--------------|-------------------|-------------------------------------|------------|
| 10W   | 2.25" | 3.75"  | H75          | <b>EHCW10LFN</b>  | EcoTraX/H-CYLINDER/WHITE/10W/EcoHXN | Natural    |
| 10W   | 2.25" | 3.75"  | H75          | <b>EHCW10LFO</b>  | EcoTraX/H-CYLINDER/WHITE/10W/EcoHXO | Outdoor    |
| 10W   | 2.25" | 3.75"  | H75          | <b>EHCB10LFN</b>  | EcoTraX/H-CYLINDER/BLACK/10W/EcoHXN | Natural    |
| 10W   | 2.25" | 3.75"  | H75          | <b>EHCB10LFO</b>  | EcoTraX/H-CYLINDER/BLACK/10W/EcoHXO | Outdoor    |
| 22W   | 3.25" | 4.25"  | H75-100      | <b>EHCW22LFN</b>  | EcoTraX/H-CYLINDER/WHITE/22W/EcoHXN | Natural    |
| 22W   | 3.25" | 4.25"  | H75-100      | <b>EHCW22LFO</b>  | EcoTraX/H-CYLINDER/WHITE/22W/EcoHXO | Outdoor    |
| 22W   | 3.25" | 4.25"  | H75-100      | <b>EHCB22LFN</b>  | EcoTraX/H-CYLINDER/BLACK/22W/EcoHXN | Natural    |
| 22W   | 3.25" | 4.25"  | H75-100      | <b>EHCB22LFO</b>  | EcoTraX/H-CYLINDER/BLACK/22W/EcoHXO | Outdoor    |
| 50W   | n/a   | 7.75"  | H250 / MH100 | <b>EHWW50LF**</b> | EcoTraX/H-WASHER/WHITE/50W/EcoHX    | X-CHANGE   |
| 50W   | n/a   | 7.75"  | H250 / MH100 | <b>EHWB50LF**</b> | EcoTraX/H-WASHER/BLACK/50W/EcoHX    | X-CHANGE   |

\*\*Available with J-style mount. When ordering J-style use product code **EJWW50LF** (white) or **EJWB50LF** (black).



# Dimensions



# Accessories

| Product Code | Track         | Length | Description  |
|--------------|---------------|--------|--|
| HT8 (W/B)    | Type H 3-wire | 8'     | 8-FT TRACK (WHITE/BLACK)                                     |
| HT6 (W/B)    | Type H 3-wire | 6'     | 6-FT TRACK (WHITE/BLACK)                                     |
| HT4 (W/B)    | Type H 3-wire | 4'     | 4-FT TRACK (WHITE/BLACK)                                     |
| HT2 (W/B)    | Type H 3-wire | 2'     | 2-FT TRACK (WHITE/BLACK)                                     |
| HEF (W/B)    | Type H 3-wire | 4.125" | END FEED (WHITE/BLACK)                                       |
| HFF (W/B)    | Type H 3-wire | 5.75"  | FLOATING FEED (WHITE/BLACK)                                  |
| HSF (W/B)    | Type H 3-wire | 4.25"  | SURFACE FEED (WHITE/BLACK)                                   |
| CP15 (W/B)   | Type H 3-wire | 15'    | 15'/3WIRE CORD & PLUG (WHITE/BLACK) Order with HSF           |
| HMC (W/B)    | Type H 3-wire | 3.125" | MINI CONNECTOR (WHITE/BLACK)                                 |
| HFCF (W/B)   | Type H 3-wire | 9.75"  | FLEX CONNECTOR (WHITE/BLACK)                                 |
| HLCF (W/B)   | Type H 3-wire | n/a    | L-CONNECTOR/FEED (WHITE/BLACK)                               |
| HTCF (W/B)   | Type H 3-wire | n/a    | T-CONNECTOR?FEED (WHITE/BLACK)                               |
| HOA (W/B)    | Type H 3-wire | n/a    | OUTLET ADAPTER (WHITE/BLACK)                                 |
| TBTC (W/B)   | Type H 3-wire | n/a    | T-BAR Track Clip (2 per 4' section / 4 per 6' or 8' section) |
| BC (W/B)     | Type H 3-wire | n/a    | BOX COVER (WHITE/BLACK)                                      |