

HXLIGHTING™

X10™ HO Line-Voltage Tube



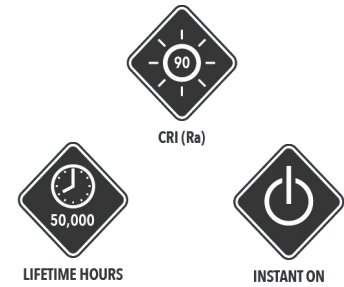
Safe, high-efficiency replacements for fluorescent tubes in:

- Signs and menu boards
- Retail refrigeration/freezer display cases
- Exterior facades/cove lighting
- Back-lit clock faces
- Warehouses and storage facilities
- Anywhere HO or VHO fluorescent tubes are used



Features

- Xtreme10 Line-voltage dual-end design – Type B
- Eliminates high-maintenance fluorescent ballasts
- Rotatable mounting pins to adjust tube orientation
- Double-sided impact resistant acrylic cover
- CTC™ aluminum heat sink - Excellent heat dissipation
- 360° dispersion – Low-glare Diamond Crystal Lens™
- Instant on at full brightness – No warm-up time
- High-Efficiency HX Driver™ - 120-277 volt
- IP41 - Extreme Performance – 50,000+ User Hours
- Earth-friendly design contains no mercury or lead.
- Xceptional light quality – Full-Spectrum EcoHX PLUS™ color tone
- Fits R17d sockets – Replaces HO and VHO fluorescent tubes



Watts	Length	Product Code	Description	Color Tone	CRI	Lumens	Case Qty.
10W	18"	LX10HO18	Xtreme10HO/18"/10W	EXP	90	1600	10/15-30
15W	24"	LX10HO24	Xtreme10HO/24"/15W	EXP	90	2300	10/15-30
15W	30"	LX10HO30	Xtreme10HO/30"/15W	EXP	90	2300	10/15-30
20W	36"	LX10HO36	Xtreme10HO/36"/20W	EXP	90	3000	10/15-30
25W	42"	LX10HO42	Xtreme10HO/42"/25W	EXP	90	3800	10/15-30
30W	48"	LX10HO48	Xtreme10HO/48"/30W	EXP	90	4500	10/15-30
35W	60"	LX10HO60	Xtreme10HO/60"/35W	EXP	90	5300	8-16
35W	64"	LX10HO64	Xtreme10HO/64"/35W	EXP	90	5300	8-16
40W	72"	LX10HO72	Xtreme10HO/72"/40W	EXP	90	6100	8-16
50W	84"	LX10HO84	Xtreme10HO/84"/50W	EXP	90	7500	8-16
55W	96"	LX10HO96	Xtreme10HO/96"/55W	EXP	90	8300	8-16



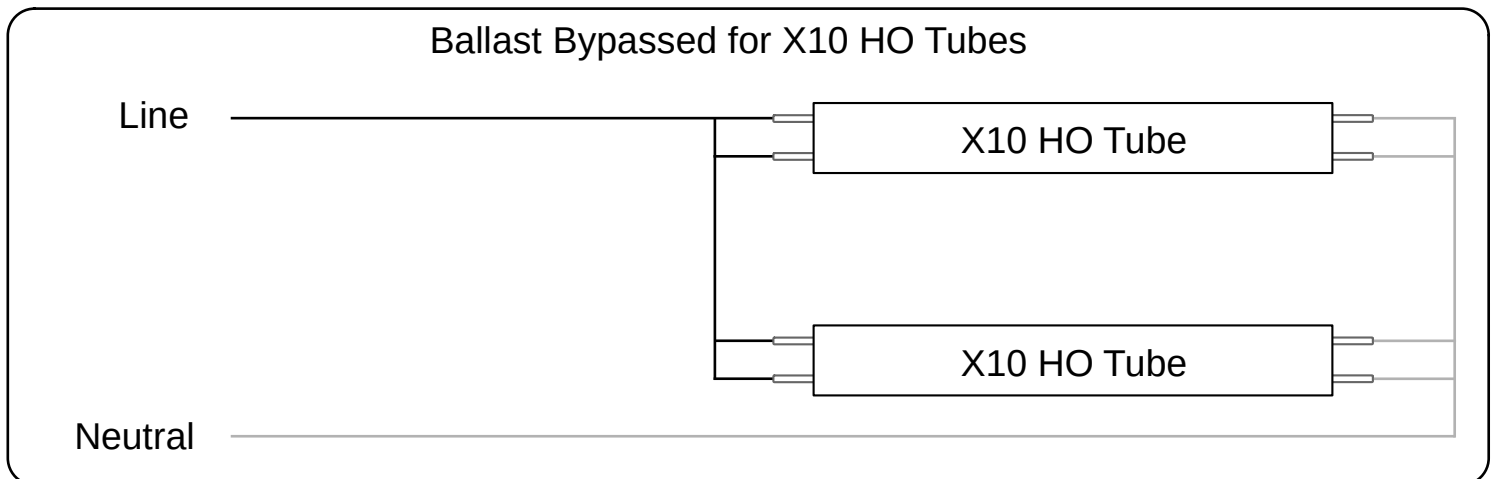
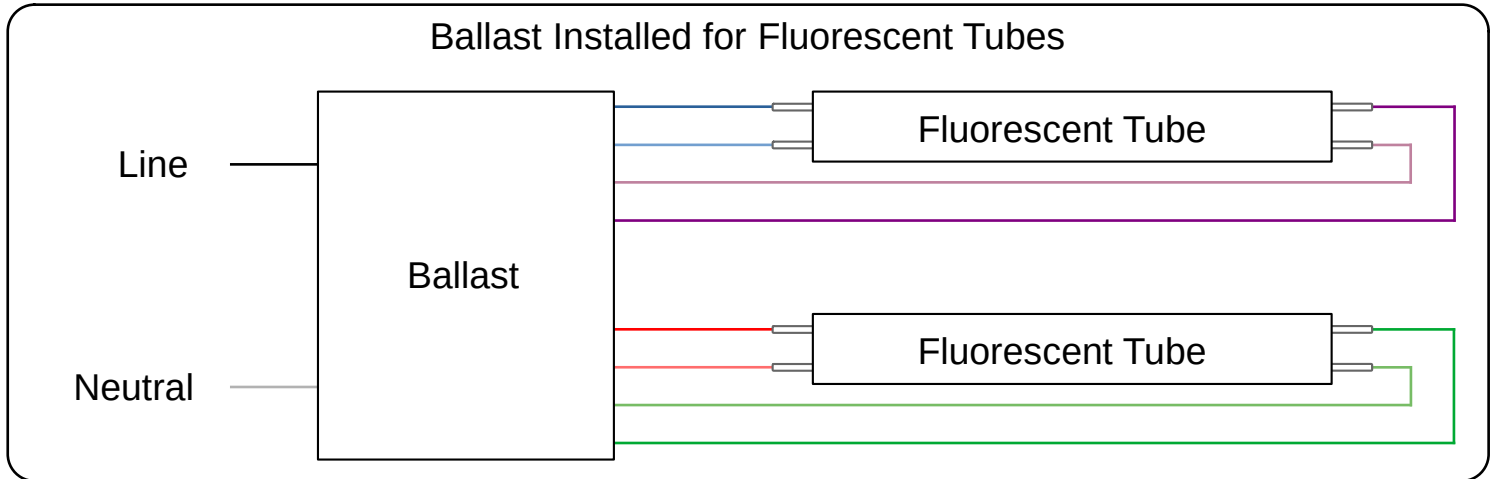
120-277 Volt Ballast Bypass

Ballasts must be removed or bypassed prior to installing X10™ LED tubes. Tubes damaged due to improper installation are not covered under warranty.

Ballast replacement/removal should be done only by a qualified electrician.

Disconnect power at the breaker panel prior to beginning ballast replacement/removal.

Properly insulate all connections and any unused wires,



Tube ends can be rotated for proper LED orientation.

Ends must be rotated **by hand** prior to installation in sockets. Do not use pliers or other tools to rotate tube ends. Do not attempt to rotate tube ends beyond the stop points.

TUBES DAMAGED BY IMPROPER INSTALLATION WILL NOT BE COVERED UNDER WARRANTY.

DO NOT ATTEMPT TO ROTATE TUBES WHILE INSTALLED IN SOCKETS! ROTATING THE TUBES WHILE INSTALLED IN THE FIXTURE WILL CAUSE DAMAGE TO THE SOCKETS AND/OR FIXTURE.

HX LIGHTING WILL NOT BE RESPONSIBLE FOR FIXTURE DAMAGE CAUSED BY IMPROPER INSTALLATION/ROTATION OF X10 TUBES.