

# HXL LIGHTING™

## Covert-X™ Small/Medium Floodlights



The ideal lighting solution for:

- Security lighting
- Accent and perimeter lighting
- Signage
- Entranceways
- Transport platforms / waiting areas
- Flag Illumination (CXBS Series)



CXBS40



CXBS90



CXSF30



CXMF50/70

## Features

- **Eco** – Earth-friendly design contains no mercury or lead.
- Indoor/outdoor use (-22° F to 114° F)
- Wet location / IP66 rating
- Highest-efficiency **HX-POWR™ Driver** – Best In Class – 120-277V
- **CTC™** (Custom Thermal Conductivity) die-cast aluminum housing
- Corrosion resistant powder-coat finish
- Anti-glare **Diamond Crystal™ Lens**
- Exceptional light quality - >80% CRI
- Outdoor color tone
- Extreme performance – 50,000+ user hours



CRI (Ra)



WARRANTY



WET LOCATION



LIFETIME HOURS



Wattage	Voltage	Replace HID	Product Code	Color Tone	Photocell	Weight
40W	120-277	MH150 / Q300	<b>CXBS40</b>	Outdoor	n/a	3 lbs.
90W	120-277	MH400 / Q1500	<b>CXBS90</b>	Outdoor	n/a	5 lbs.
30W	120-277	MH150 / Q300	<b>CXSF30</b>	Outdoor	n/a	3 lbs.
50W	120-277	MH175 / Q500	<b>CXMF50</b>	Outdoor	PC/PC2	6 lbs.
70W	120-277	MH250 / Q1000	<b>CXMF70</b>	Outdoor	PC/PC2	6 lbs.

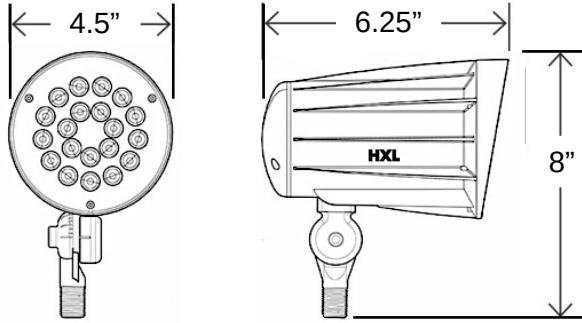
Product Code	Description
<b>CXFL-U</b>	U-Bracket



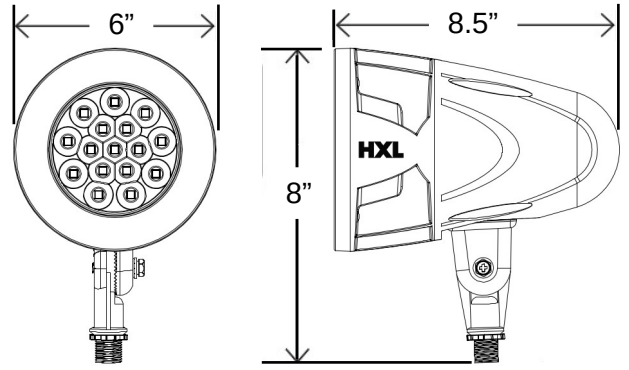
# Photometrics / Dimensions

HXL

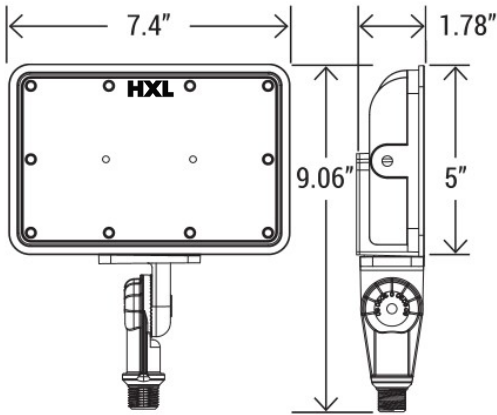
CXBS40



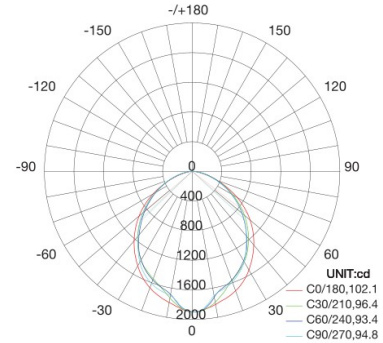
CXBS90



CXSF30

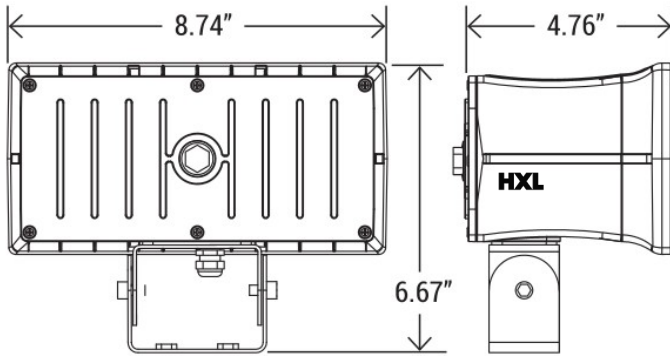


LUMINOUS INTENSITY DISTRIBUTION DIAGRAM

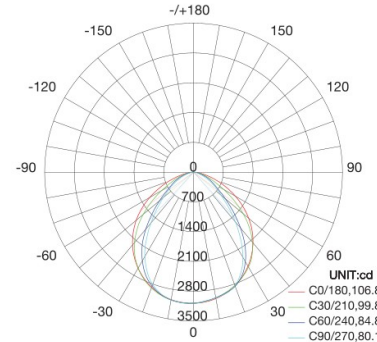


AVERAGE BEAM ANGLE(50%):96.7 DEG

CXMF50 (Shown with Optional U-bracket)

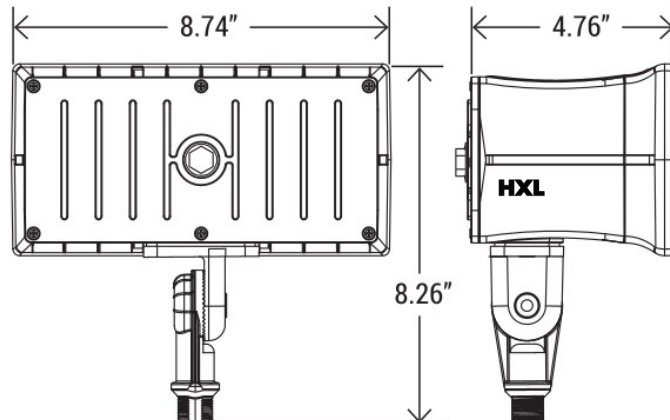


LUMINOUS INTENSITY DISTRIBUTION DIAGRAM

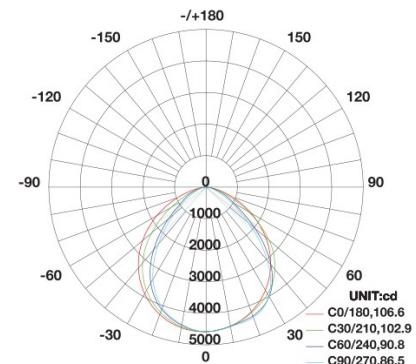


AVERAGE BEAM ANGLE(50%):92.9 DEG

CXMF70



LUMINOUS INTENSITY DISTRIBUTION DIAGRAM



AVERAGE BEAM ANGLE(50%):96.7 DEG