

## Covert-X™ Floodlight

Floodlights are ideal for illuminating:

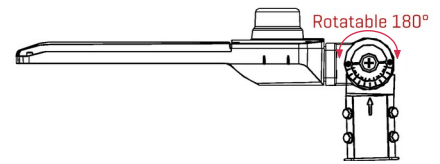
- Parking lots
- Automobile dealerships
- Outdoor staging and storage facilities
- Playing fields and recreational areas
- Any large outdoor area



CXF300SF2

## Features

- **Eco** – Earth-friendly design contains no mercury or lead.
- Slip-fitter mount with stainless steel hardware – Rotatable 180°
- Replaces HID fixtures (3-foot 18AWG cord attached)
- **CTC™** (Custom Thermal Conductivity) die-cast aluminum housing
- Highest-efficiency **HX-POWR™ Driver** – Best In Class
- Exclusive **Diamond Crystal™** anti-glare lens
- Exceptional light quality – **EcoHX™ LED's**
- Color tone simulates **Outdoor** light.
- Extreme Performance – 70,000+ User Hours
- Shorting cap included
- Dusk-to-dawn control (with optional photocell)
- Operating Temperature -40°F to +194°F



LIFETIME HOURS

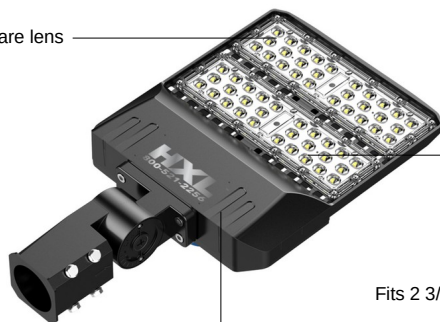


CRI (Ra)



WET LOCATION

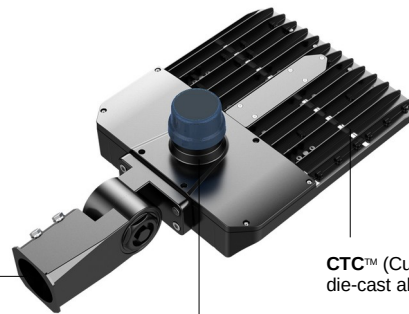
Diamond Crystal™ anti-glare lens



EcoHX™ LED's

Highest-efficiency HX-POWR™ Driver

Fits 2 3/8" brackets



Optional PCTL photocell

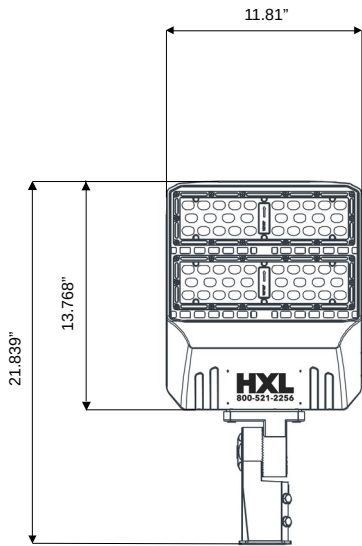
CTC™ (Custom Thermal Conductivity) die-cast aluminum housing

CXF150SF2

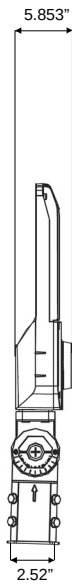
Wattage	Mounting Height	Voltage	Replace HID	Product Code	Description	Weight
150W	10-30 feet	120-277V	400W	<b>CXF150SF2</b>	COVERT-X/FLOOD/150W/120-277V	11 lbs.
300W	20-50 feet	120-277V	1000W	<b>CXF300SF2</b>	COVERT-X/FLOOD/300W/120-277V	16 lbs.



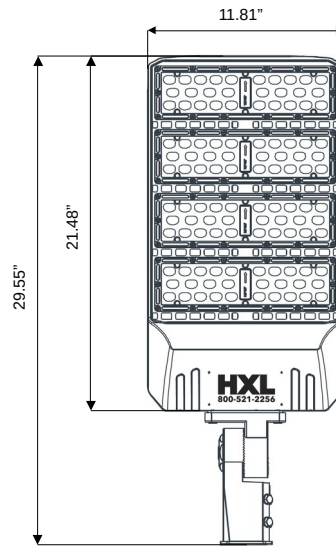
# Dimensions



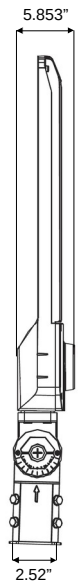
CXF150SF2



2.52"

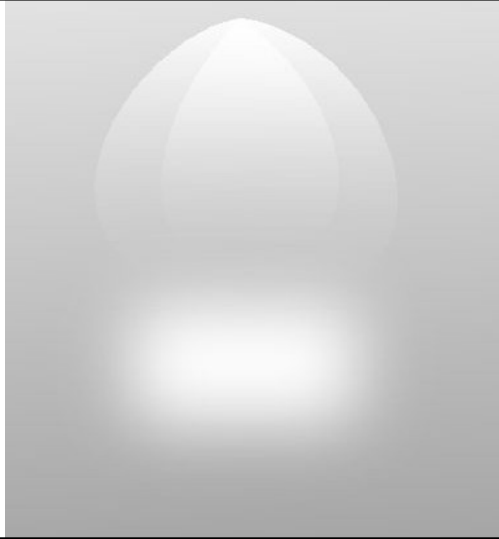
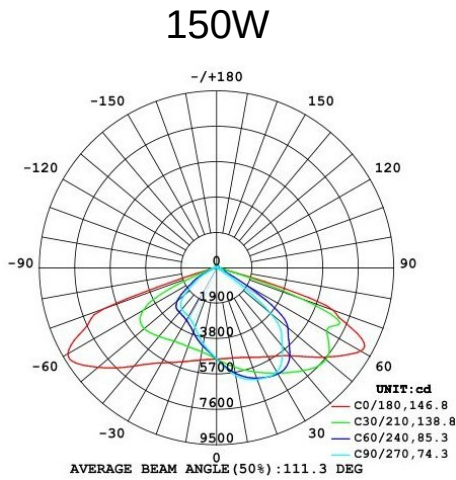


CXF300SF2



2.52"

# Photometrics



# Accessories

Description	Product Code	Price
PHOTOCONTROL/TURN-N-LOCK	<b>PCTL</b>	\$29.79
SHORTING CAP/TURN-N-LOCK	<b>SCTL</b>	\$14.79
BARREL/WEATHER-PROOF/CORD/CONNECTOR/IP67	<b>BCC368</b>	\$8.79
HX-POWR/DRIVER/120-277V/150W	<b>HXPD150</b>	\$169.79
HX-POWR/DRIVER/120-277V/300W	<b>HXPD300</b>	\$269.79