

# HXLIGHTING™

## Covert-X™ Canopy



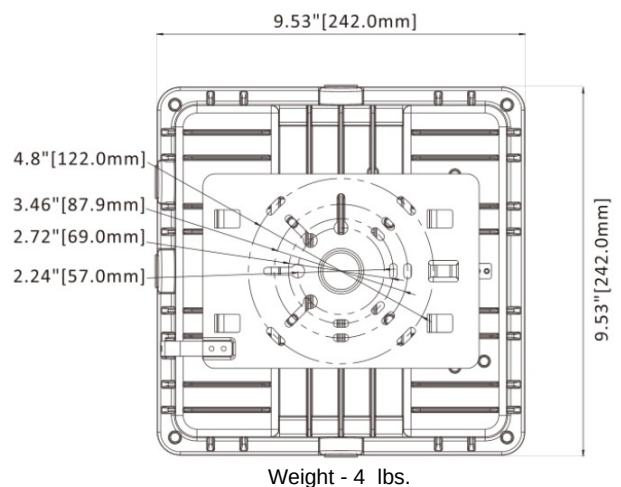
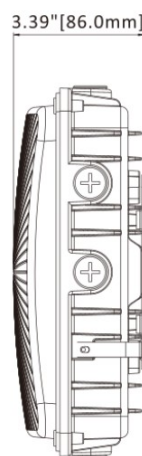
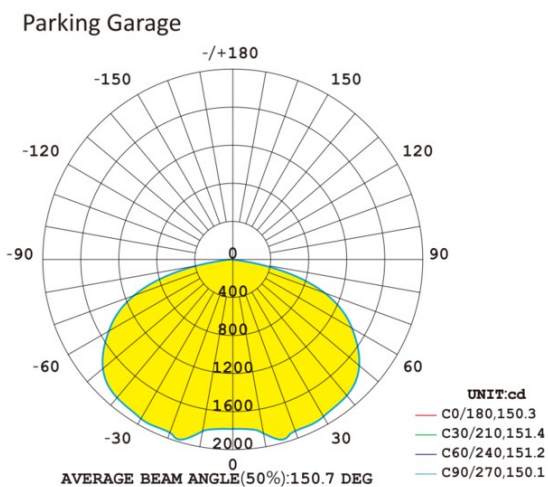
The ideal lighting solution for:

- Fuel Canopies
- Parking garages
- Storage areas and outbuildings
- Outdoor waiting areas
- Platforms and loading docks
- Transit stops and shelters



## Features

- **Eco** – Earth-friendly design contains no mercury or lead.
- Indoor or outdoor use (-4°F to 113°F)
- Flush mount, or pendant-mount using electrical conduit
- Highest-efficiency **HX-POWR™ Driver** – Best In Class – 120-277V
- 0-10VDC dimming standard
- **CTC™** (Custom Thermal Conductivity) die-cast aluminum housing
- Anti-glare **Diamond Crystal™ Lens**
- Exceptional light quality >80% CRI
- Selectable wattage and color tone (Outdoor/Cool)
- Extreme performance – 50,000+ user hours – 36-month warranty
- Bronze powder-coat finish standard – White available by special order



Wattage	Voltage	Replace HID	Product Code	Description	Photocell (optional)
70-50-30	120-277	Up to 250	<b>CXCL70X</b>	COVERT-X/CANOPY/70W/120-277V	PCS/PC2S



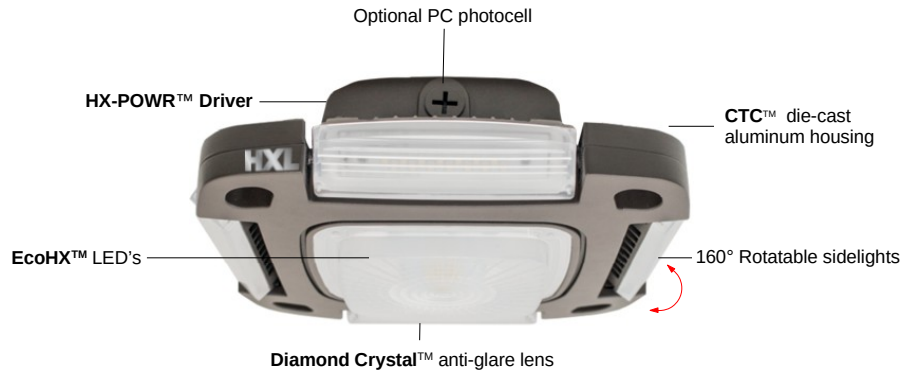
# HXLIGHTING™

## Covert-X™ Canopy w/Rotatable Sidelights



The ideal lighting solution for:

- Fuel Canopies
- Parking garages
- Storage areas and outbuildings
- Outdoor waiting areas
- Platforms and loading docks
- Transit stops and shelters



## Features

- **Eco** – Earth-friendly design contains no mercury or lead.
- Indoor or outdoor use (-4°F to 113°F)
- Flush mount, or pendant-mount using electrical conduit
- Highest-efficiency **HX-POWR™ Driver** – Best In Class – 120-277V
- 0-10VDC dimming standard
- **CTC™** (Custom Thermal Conductivity) die-cast aluminum housing
- Rotatable Side Light Angle: 160°
- Anti-glare **Diamond Crystal™ Lens**
- Exceptional light quality - >80% CRI
- Outdoor color tone
- Extreme performance – 50,000+ user hours – 36-month warranty
- Bronze powder-coat finish standard – White available by special order



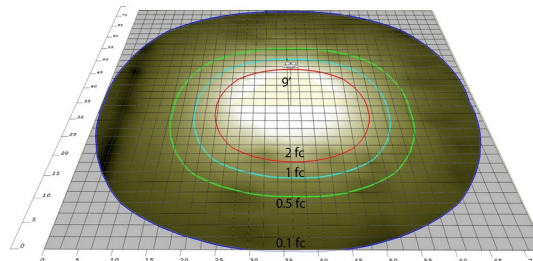
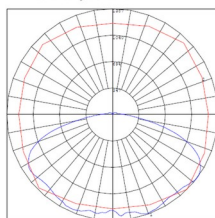
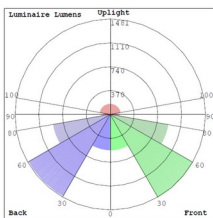
Maximum Candela = 1387.05 Located At:  
Horizontal Angle = 315, Vertical Angle = 53

IES Summary:

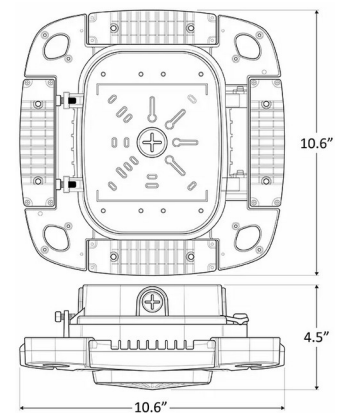
IES Zone	Lumens	HLamp	% Lum
EL (0-30)	552.2	8.7	8.7
EM (30-60)	1480.6	23.2	23.2
EN (60-90)	913.3	14.3	14.3
EPH (90-90)	141.5	2.2	2.2
EL (0-30)	549.7	8.6	8.6
EM (30-60)	1458.5	22.9	22.9
EN (60-90)	896.9	14.1	14.1
EPH (90-90)	132.9	2.1	2.1
UL (90-100)	94.8	1.5	1.5
UH (100-180)	150.5	2.5	2.5
Total	6378.9	100.0	100.0
IES Rating: 80-UG-02			

**Classification:**

Road Classification: Type VS, Very Short,  
Semi-Cutoff (dependent)  
Upward Mounting: Ratio: 0.04  
Luminaire Efficacy Rating (LER): 118  
Indoor Classification: Direct  
**Polar Candela Curves:**  
Vertical Plane Through:  
1) 315 - 135 Horizontal  
Horizontal Plane Through:  
2) 53 Vertical



Weight - 5 lbs.



Wattage	Replace HID	Product Code	Description	Photocell (optional)
60W	Up to 250	<b>CXCL60RS</b>	COVERT-X/CANOPY/60W/120-277V/RS	PCS/PC2S

